



UMC C-X Coupler (Universal Multi-Shaft Coupler)

- Units come pre-assembled - No assembly time - Saves time in the field
- Meets and exceeds the existing UMC coupler performance
- Universal design - Fits all square shaft sizes - Standard and Metric
- Simple one wrench installation
- UV stabilized Urethane puck
- Easily converts from Non-Towable to Towable
- Centering rod for maintaining alignment at peak torque
- SQUEX Bolts (Square Neck - Hex Head) for easy one wrench installation

Patent Pending

1" Rnd Shaft



Fits Square Shaft
1", 7/8", 3/4" & 20 mm

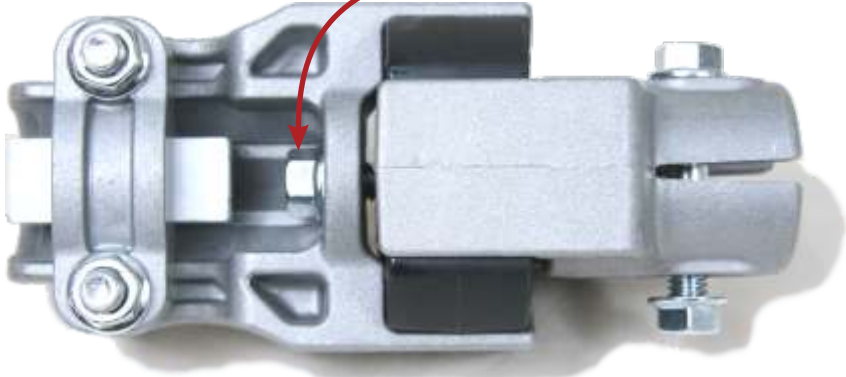
Non-Towable



Simple T-N-T Conversion



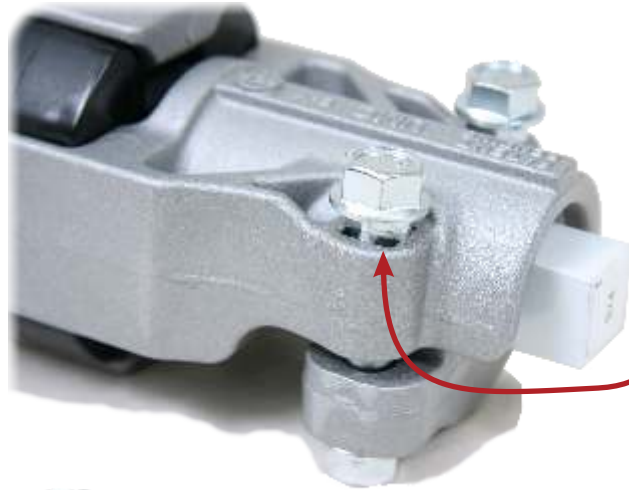
Towable





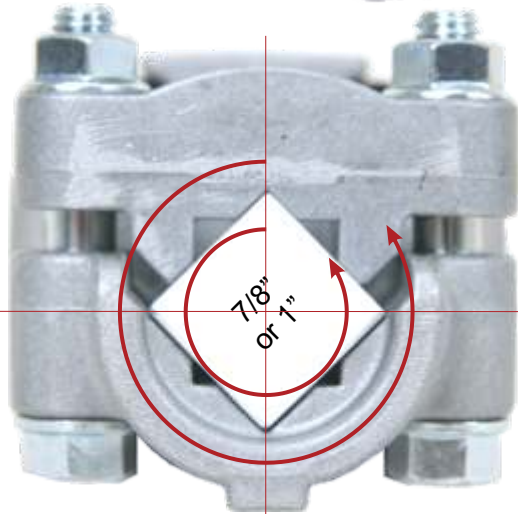
UMC C-X Coupler (Universal Multi-Shaft Coupler)

Patent Pending



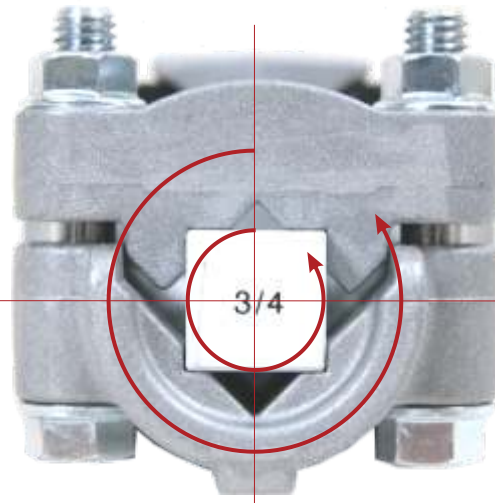
SQEX bolt captivates bolts for simple one wrench installation

Flanged-Crimped Lock Nuts



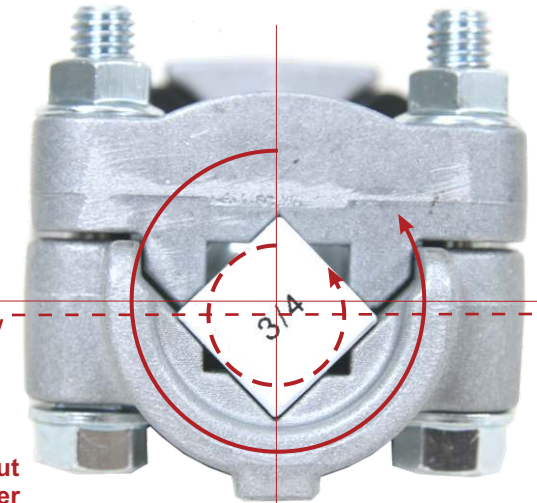
Correct Installation for 7/8", 1" or 20 mm Shaft

The correct shaft position for 7/8", 1" or 20 mm shaft is positioned diagonally in the coupler clamp. Tighten both bolt evenly to ensure even hold.



Correct Installation for 3/4" Shaft

The Correct Shaft position for 3/4" shaft is positioned horizontally in the coupler clamp. Tighten both bolt evenly to ensure even hold.



Alternate Installation for 3/4" Shaft

It is not recommended to install the 3/4" shaft in this position. This will cause the shaft to rotate out of center.

Shaft out of Center